

# Full HD Micro Dome Network Camera



- Super clear 1/3" CMOS sensor for full-HD 2 mega pixel resolution
- 3DNR (3 Dimensional Noise Reduction)
- Simultaneous streaming H.264 & MJPEG
- Wide angle 3.6mm fixed focus lens
- Universal OnVIF supported CODEC
- Extreme back light compensation performance
- Internal embedded microphone
- Multiple compression (H.264,MJPEG)
- Cross web-browsing
- Dynamic adjustment bit rate
- Event buffering
- FTP image upload capability
- Web casting
- Password protection, IP filtering
- DC12V, PoE



*Costar*  
 VIDEO SYSTEMS

# Full HD Micro Network Camera Specifications

## Model

CDIH200F	Full HD Micro Indoor Dome Camera, iNEX, 2 mega pixel, dual streaming, DC12V, PoE
----------	--

## Imaging

Sensor	2 Mega Pixel 1/3" CMOS sensor
Scan Method	Progressive
Lens	Fixed Lens 3.6mm F1.8
Range of Angle view	67° (H)
Effective Pixels (HxV)	1600 x1200
Minimum Illumination	0.1 Lux (AT 30 IRE F1.8 Lens)
Dynamic Range	71 db
SNR(max)	42.3db
Auto White Balance	Yes
Auto Gain Control	Yes
Backlight Compensation	on/off
Electronic Shutter	Auto, Slow Shutter (2X~16x / 5 step selection)

## Video

Video Compression	H2.64 BP and MJPEG Dual codec, dual streaming
Video framerate	Dual Streaming (1280x720/30FPS + 640x352/30FPS)
Resolution	
H.264	1600x1200, 640x480/320x240/160x128 1280x720, 640x352/ 320x176/192x112
MJPEG	1600x1200, 640x480/320x240 1280x720, 640x352/320x176
Bit rate control	CBR and VBR, 128kbps ~ 4Mbps
Digital Zoom	Yes, x 1/2, x 2, x 4
Image Rotation	Mirror, Flip, Rotate 180°
DNR	Yes

## General

Panning Range	-15° ~ 15°
Tilting Range	0° ~ 90°
Power	DC12V, PoE
Power Consumption	3Watts
Dimensions	Ø4.21" x 1.95" (Ø107.1mm X 49.7mm)
Operating temperature	-10°C~ 50°C
Storage temperature	-20°C~ 60°C
storage humidity	10% ~ 90% non-condensing

## Audio

Compression	AMR, G.711 @ 64kbps, G.726 @ 32kbps/Configure bit rate
-------------	--

## Network

Protocols	IP, TCP, UDP, ICMP, IGMP, ARP,DHCP,DNS, DDNS, NTP, RTP, RTSP, HTTP, Multicast, UPnP SMTP, FTP, PPPOE, QoS
3GPP Mobile Surveillance	Yes

## Outputs

LAN	1x RJ-45 Ethernet connector
Audio	1x Internal MIC
Browser	Internet Explorer 6.0 or above
Application Software	iNEX
Approvals	CE, FCC Class A, RoHS

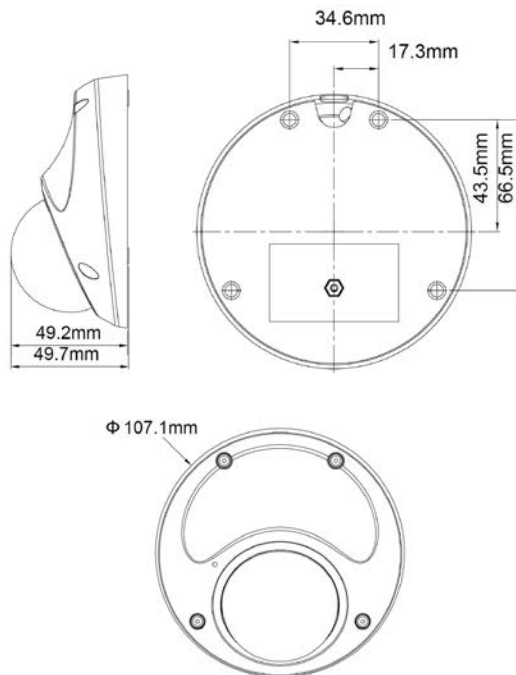
## Applications



### iNEX

Connect to the future with Legacy connection from DVRs, and IP servers

## Dimensions (mm)



**Costar**  
VIDEO SYSTEMS

101 Wrangler, Suite 201 • Coppell, Texas 75019 • Phone: 469-635-6800 • Fax: 469-635-6822 • Toll Free: 1-888-694-STAR (7827)

[www.costarvideo.com](http://www.costarvideo.com)